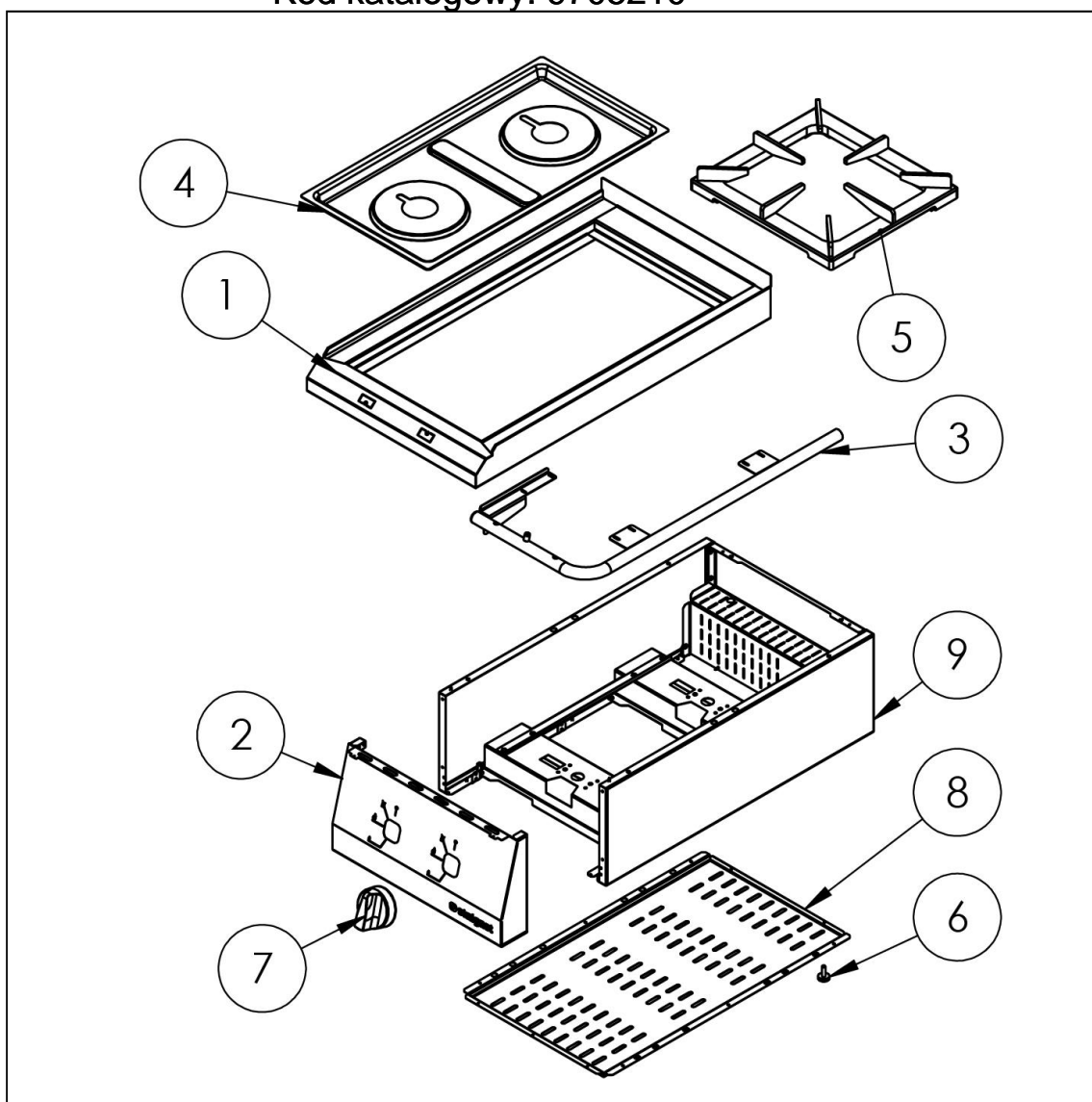
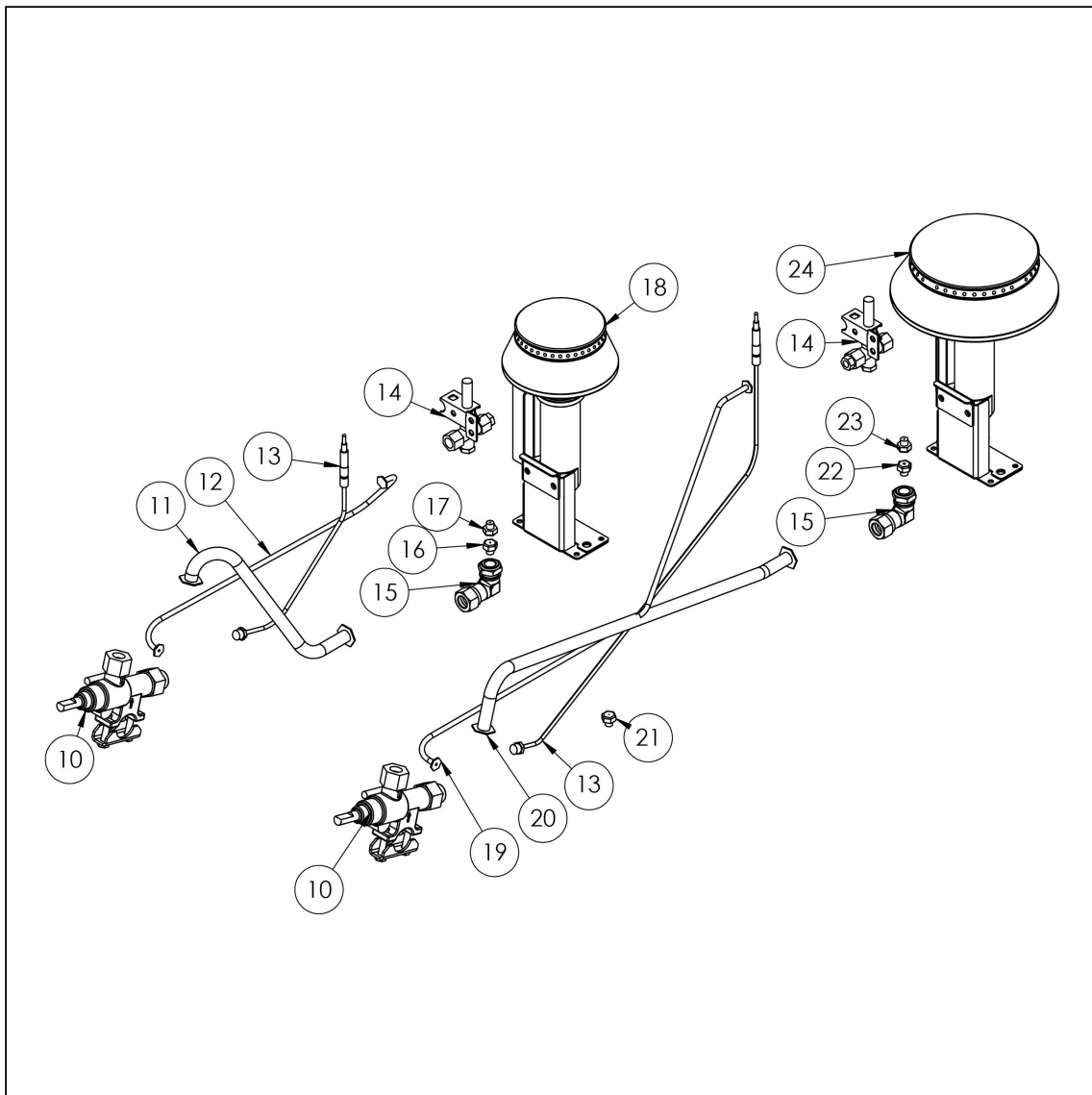
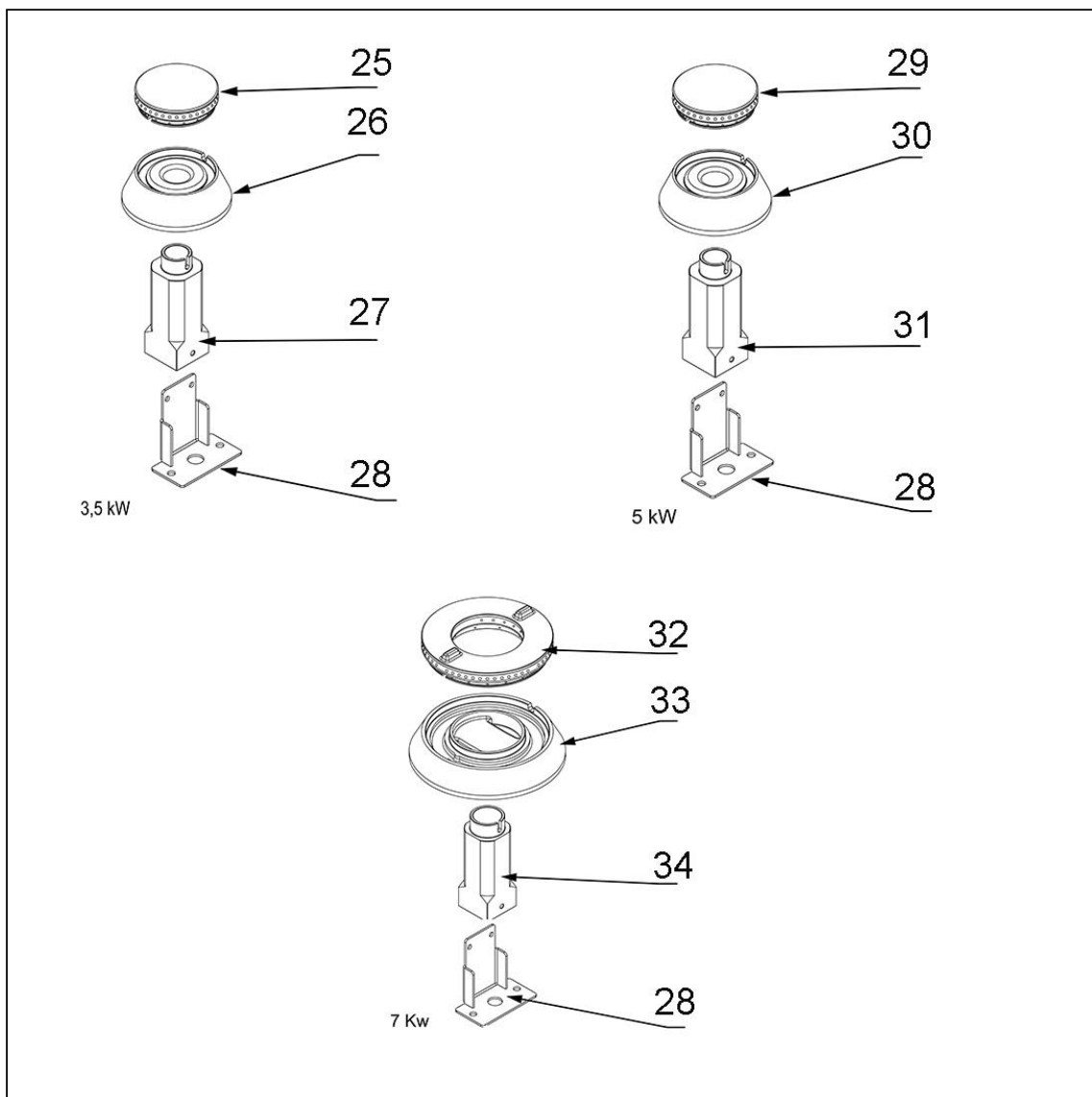


kuchnia gazowa, 2 palnikowa, nastawna, 10.5kW, G20

Kod katalogowy: 9705210







| Nr części<br>(V nr rys.-nr części z rysunku) | Nazwa                            | Kod     |
|--|----------------------------------|---------|
| V9705210.2-01                                | Blat                             | C011157 |
| V9705210.2-02                                | Panel przedni                    | C011158 |
| V9705210.2-03                                | Kolektor                         | C011159 |
| V9705210.2-04                                | Misa                             | C011160 |
| V9705210.2-05                                | Ruszt                            | C009045 |
| V9705210.2-06                                | Stopka                           | C010548 |
| V9705210.2-07                                | Pokr. tło                        | C011161 |
| V9705210.2-08                                | Ośłona dolna                     |         |
| V9705210.2-09                                | Korpus                           |         |
| V9705210.2-10                                | Zawór                            | C008801 |
| V9705210.2-11                                | Rura miedziana fi10x1            |         |
| V9705210.2-12                                | Rura miedziana fi6x1             |         |
| V9705210.2-13                                | Termopara_600                    | C008081 |
| V9705210.2-14                                | Palnik pilota                    | C008078 |
| V9705210.2-15                                | Kolano                           | C009080 |
| V9705210.2-16                                | Dysza palnika 3.5 kW PB_0.9      | C007535 |
| V9705210.2-17                                | Dysza palnika 3.5 kW GZ_1.35     | C007108 |
| V9705210.2-18                                | Palnik 3.5kW                     | C010605 |
| V9705210.2-19                                | Rura miedziana fi6x1             |         |
| V9705210.2-20                                | Rura miedziana fi10x1            |         |
| V9705210.2-21                                | Dysza palnika pilota GZ_0.41     | C010906 |
| V9705210.2-22                                | Dysza palnika 7 kW GZ 2.0        | C007720 |
| V9705210.2-23                                | Dysza palnika 7kW PB 1.2         | C007537 |
| V9705210.2-24                                | Palnik 7kW                       | C002407 |
| V9705210.2-25                                | Korona palnika 3.5kW             | C009051 |
| V9705210.2-26                                | Korpus palnika 3.5kW             | C009052 |
| V9705210.2-27                                | Inektor 3.5kW                    | C009092 |
| V9705210.2-28                                | Wspornik podstawy dyszy          | C009079 |
| V9705210.2-29                                | Nie dotyczy tego modelu produktu |         |
| V9705210.2-30                                | Nie dotyczy tego modelu produktu |         |
| V9705210.2-31                                | Nie dotyczy tego modelu produktu |         |
| V9705210.2-32                                | Korona palnika 7kW               | C009040 |
| V9705210.2-33                                | Korpus palnika 7kW               | C009027 |
| V9705210.2-34                                | Inektor 7kW                      | C009168 |