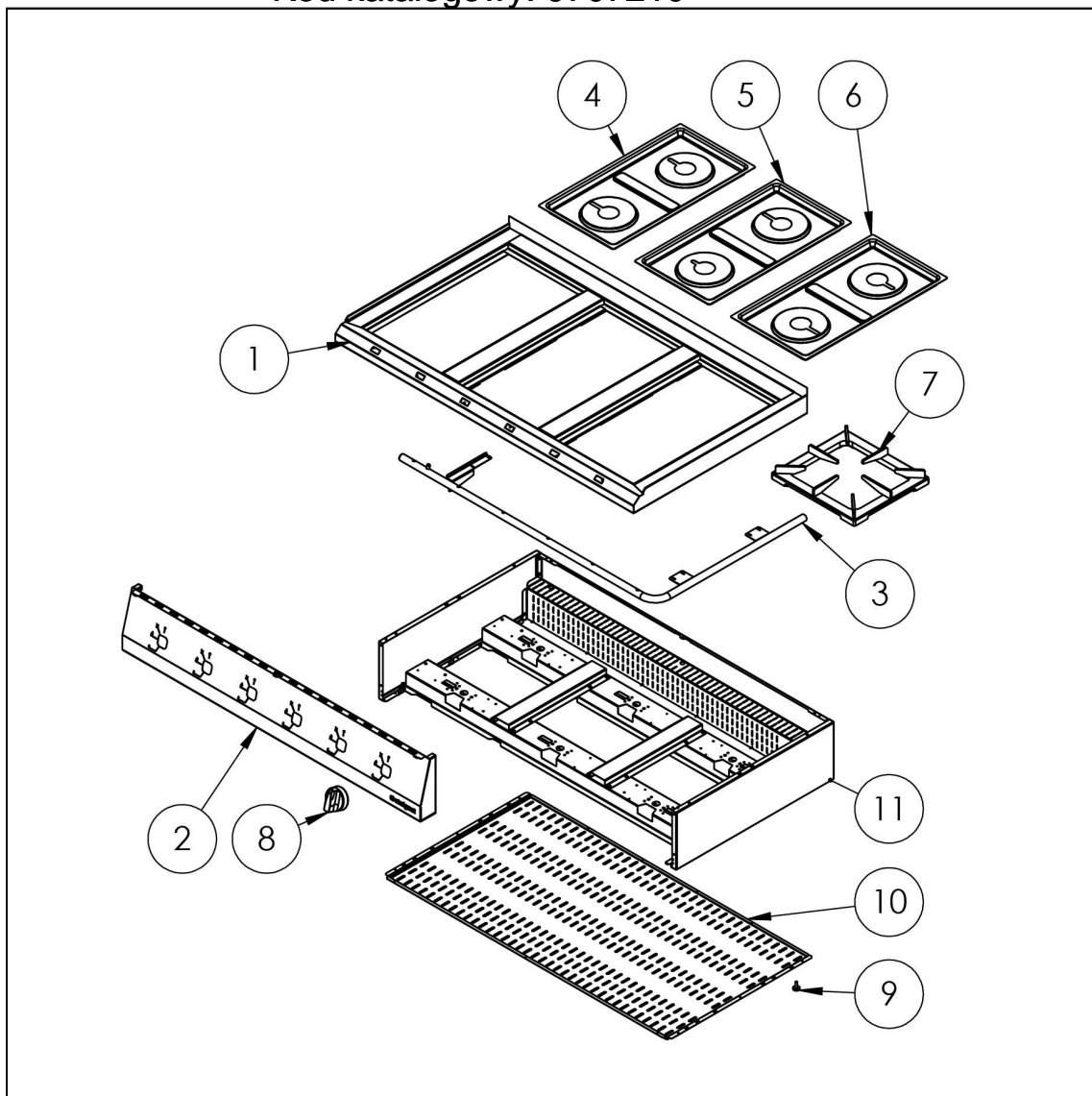
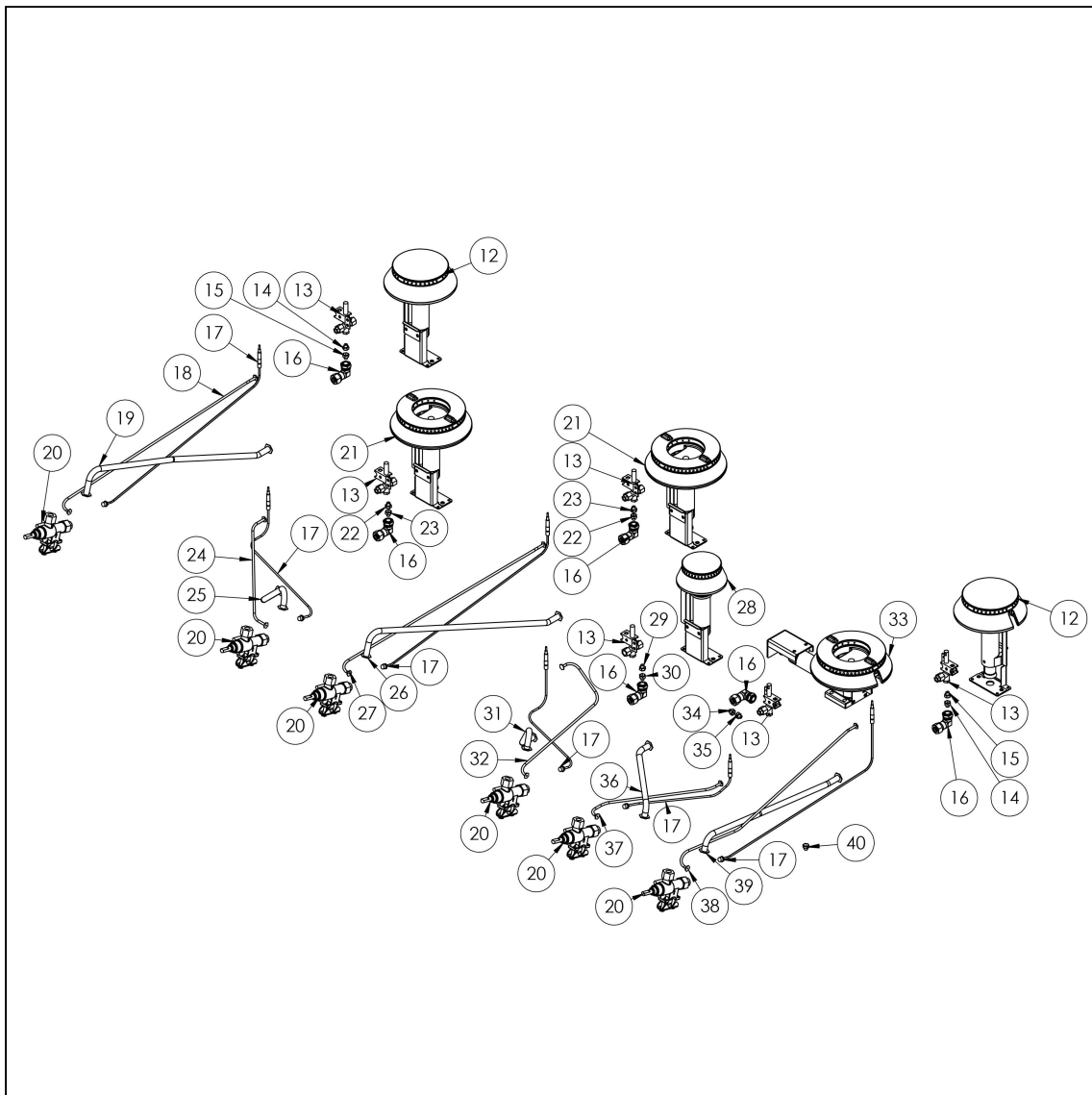
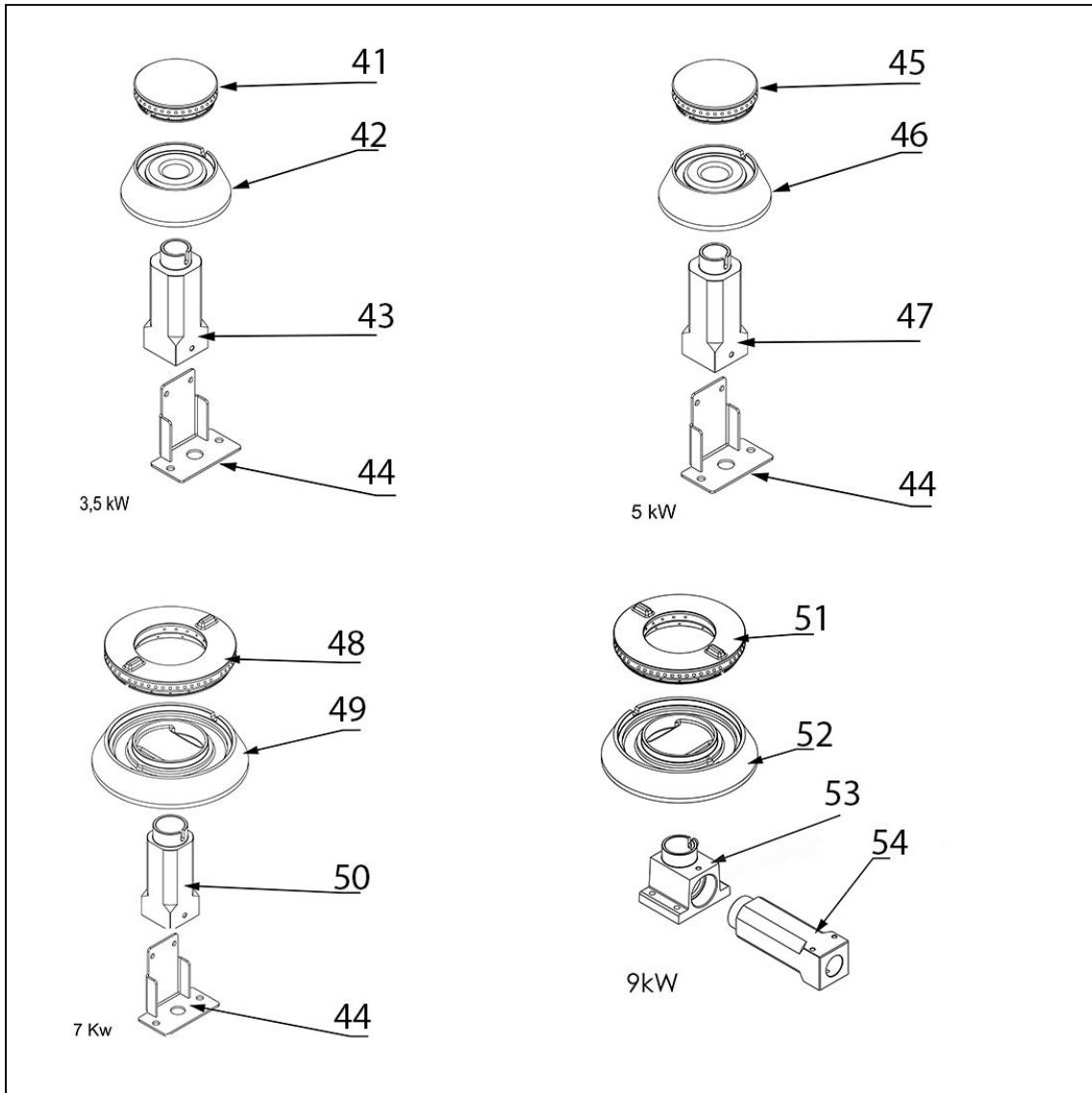


kuchnia nastawna gazowa 6 palnikowa 1200x700 36,5kW -
G20

Kod katalogowy: 9707210







Nr cz ci (V nr rys.-nr cz ci z rysunku)	Nazwa	Kod
V9707210.2-01	Blat	
V9707210.2-02	Panel przedni	
V9707210.2-03	Kolektor	
V9707210.2-04	Misa lewa	C010870
V9707210.2-05	Misa rodkowa	C011160
V9707210.2-06	Misa prawa	C010501
V9707210.2-07	Ruszt	C009045
V9707210.2-08	Pokr tło	C011161
V9707210.2-09	Stopka	C010548
V9707210.2-10	Oslona dolna	
V9707210.2-11	Korpus	
V9707210.2-12	Palnik 5kW	C010849
V9707210.2-13	Palnik pilota	C008078
V9707210.2-14	Dysza palnika 5 kW GZ 1.7	C006358
V9707210.2-15	Dysza palnika 5 kW PB 1.05	C007536
V9707210.2-16	Kolano	C009080
V9707210.2-17	Termopara 600	C008081
V9707210.2-18	Rura miedziana fi6x1	
V9707210.2-19	Rura miedziana fi10x1	
V9707210.2-20	Zawór	C008801
V9707210.2-21	Palnik 7kW	C002407
V9707210.2-22	Dysza palnika 7 kW GZ 2.0	C007720
V9707210.2-23	Dysza palnika 7 kW PB 1.2	C007537
V9707210.2-24	Rura miedziana fi6x1	
V9707210.2-25	Rura miedziana fi10x1	
V9707210.2-26	Rura miedziana fi10x1	
V9707210.2-27	Rura miedziana fi6x1	
V9707210.2-28	Palnik 3.5kW	C010605
V9707210.2-29	Dysza palnika 3.5 kW PB 0.9	C007535
V9707210.2-30	Dysza palnika 3.5 kW GZ 1.35	C007108
V9707210.2-31	Rura miedziana fi10x1	
V9707210.2-32	Rura miedziana fi6x1	
V9707210.2-33	Palnik 9kW	C008830
V9707210.2-34	Dysza palnika 9kW GZ 2.35	C007721
V9707210.2-35	Dysza palnika 9 kW PB 1.35	C007108
V9707210.2-36	Rura miedziana fi10x1	
V9707210.2-37	Rura miedziana fi6x1	
V9707210.2-38	Rura miedziana fi6x1	
V9707210.2-39	Rura miedziana fi10x1	
V9707210.2-40	Dysza palnika pilota GZ 0.41	C010906
V9707210.2-41	Korona palnika 3.5kW	C009051
V9707210.2-42	Korpus palnika 3.5kW	C009052
V9707210.2-43	In ektor 3.5kW	C009092
V9707210.2-44	Wspornik podstawy dyszy	C009079
V9707210.2-45	Korona palnika 5kW	C009053
V9707210.2-46	Korpus palnika 5kW	C009054
V9707210.2-47	In ektor 5kW	C010161
V9707210.2-48	Korona palnika 7kW	C009040
V9707210.2-49	Korpus palnika 7kW	C009027
V9707210.2-50	In ektor 7kW	C009168
V9707210.2-51	Korona palnika 9kW	C009991
V9707210.2-52	Korpus palnika 9kW	C009992
V9707210.2-53	Kolano palnika 9kW	C009059
V9707210.2-54	In ektor 9kW	C009120